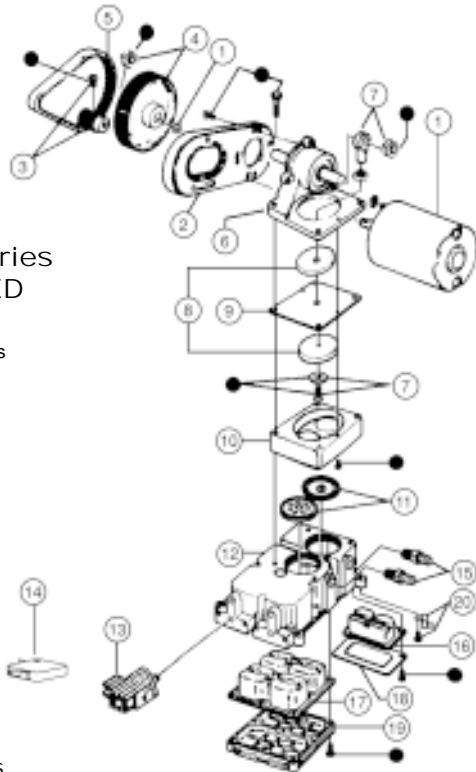


36800-Series EXPLODED VIEW

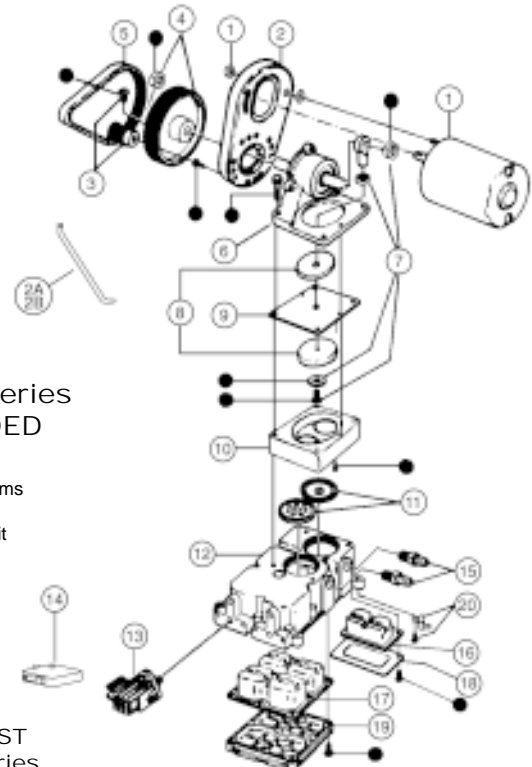
● Indicates items included in Hardware Kit (Key 21).



PARTS LIST
36800-Series

36900-Series EXPLODED VIEW

● Indicates items included in Hardware Kit (Key 21).



PARTS LIST
36900-Series

Key	Part Description	Part Number	Qty
1	Motor Kit 12 Vdc.	30200-0000	1
1	Motor Kit 24 Vdc	30200-0010	
1	Motor Kit 32 Vdc	30200-0020	
2	Motor Mount	34628-0000	1
3	Small Pulley	37169-0000	1
4	Large Pulley	37170-0001	1
5	Belt	30021-0000*	1
6	Jack Shaft Assembly	35506-0001 – See Note 5	1
7	Connecting Rod Assembly	37173-0001 – See Note 5	1
8	Diaphragm Plate	35503-0000	2
9	Diaphragm	30015-0000*	1
10	Retainer	35497-0000	1
11	Valve Set (Inlet & Outlet)	30004-0000†	1 Set
12	Base Assembly†	35625-1100 †	1
13	Pressure Switch	37121-0010 – See Note 3	1
		37121-0000 – See Note 2	
		44814-1000 – See Note 1	1
14	Micro Switch only	18753-0141	1
15	Ports (Inlet & Outlet) Barb	37176-0000† – See Note 4	1 Set
16	Small Pulsation Dampener	37177-0000†	1
17	Pulsation Dampener	37178-0000†	1
18	Small Bottom Plate	35628-0000†	1
19	Bottom Plate	35623-0000†	1
20	Vibration Pad Kit	37180-0000†	1 Set
21	Hardware Kit	37165-0001	1 Set
	Service Kit *	30122-0000	

Key	Part Description	Part Number	Qty
1	Motor Kit 12 Vdc	30200-0000	1
1	Motor Kit 24 Vdc	30200-0010	
1	Motor Kit 32 Vdc	30200-0020	
2	Motor Mount	34628-0000	1
2A	Brace (Left)	35256-0010	1
2B	Brace (right)	35256-0020	1
3	Small Pulley	37169-0000	1
4	Large Pulley	37170-0001	1
5	Belt	30021-0000*	1
6	Jack Shaft Assembly	35690-0001 – See Note 5	1
7	Connecting Rod Assembly	37173-0001 – See Note 5	1
8	Diaphragm Plate	35212-0000	2
9	Diaphragm	30016-0000*	1
10	Retainer	35173-0000	1
11	Valve Set (Inlet & Outlet)	30004-0000†	1 Set
12	Base Assembly†	35625-1100 †	1
13	Pressure Switch	37121-0010 – See Note 3	1
		37121-0000 – See Note 2	
		44814-1000 – See Note 1	1
14	Micro Switch only	18753-0141	1
15	Ports (Inlet & Outlet) Barb	37176-0000† – See Note 4	1 Set
16	Small Pulsation Dampener	37177-0000†	1
17	Pulsation Dampener	37178-0000†	1
18	Small Bottom Plate	35628-0000†	1
19	Bottom Plate	35623-0000†	1
20	Vibration Pad Kit	37180-0000†	1 Set
21	Hardware Kit	37165-0001	1 Set
	Service Kit *	30121-0000	

* Indicates Parts Contained in Service Kit. † Indicates Parts Supplied with Base Assembly.

MOTOR REPLACEMENT

1. Remove two motor nuts to separate motor.
2. Loosen set screw to remove small pulley from motor shaft.
3. When reassembling, adjust belt tension so belt between pulleys can be depressed 1/4" after motor nuts are tightened. Do not overtighten belt.

NOTE 1

Low Pressure Switch 10(0.7) to 20(1.4) psi

NOTE 2

Includes Switch and Conversion Kit to Mount New Style Switch Onto Older Style-J and -0000 Pumps.

NOTE 3

Replacement Switch only for -1000 Series Pumps. Meets USCG Electrical Standards.

NOTE 4

1/2" Threaded Outlet Port 37050-0001
1/2" Threaded Inlet Port 37050-0000

NOTE 5

Jack shaft assembly kit, with part number ending in -0001 includes new style connecting rod (37173-0001) with a 5/16" diameter hole and two (2) locknuts. Previous model pumps use a connecting rod (37173-000) with a 1/4" diameter hole and a bolt.